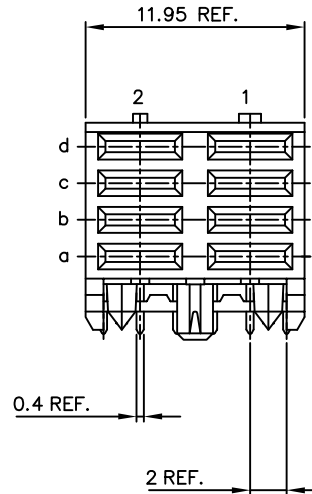
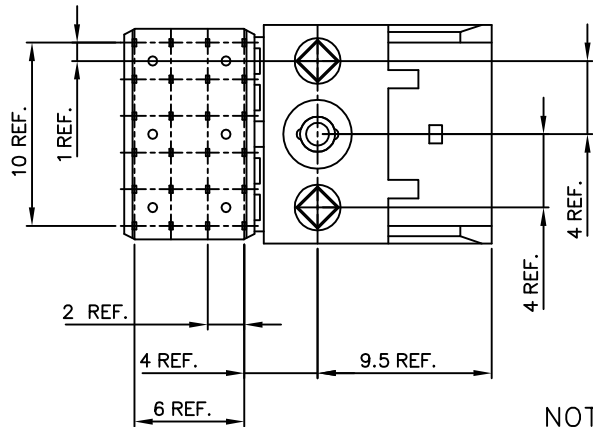
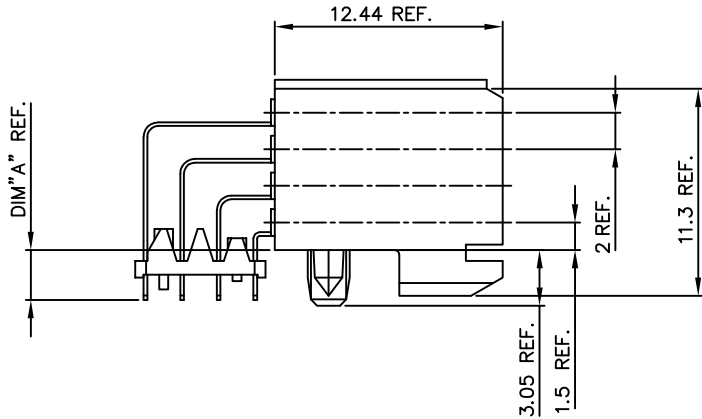
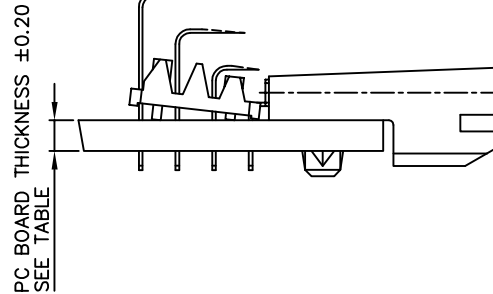


PC BOARD VERSIONS		
PRODUCTNR:	PCB THICKNESS	DIM "A"
89039-X01/X01LF	1.6	2.90
89039-X11/X11LF	2.4	3.53



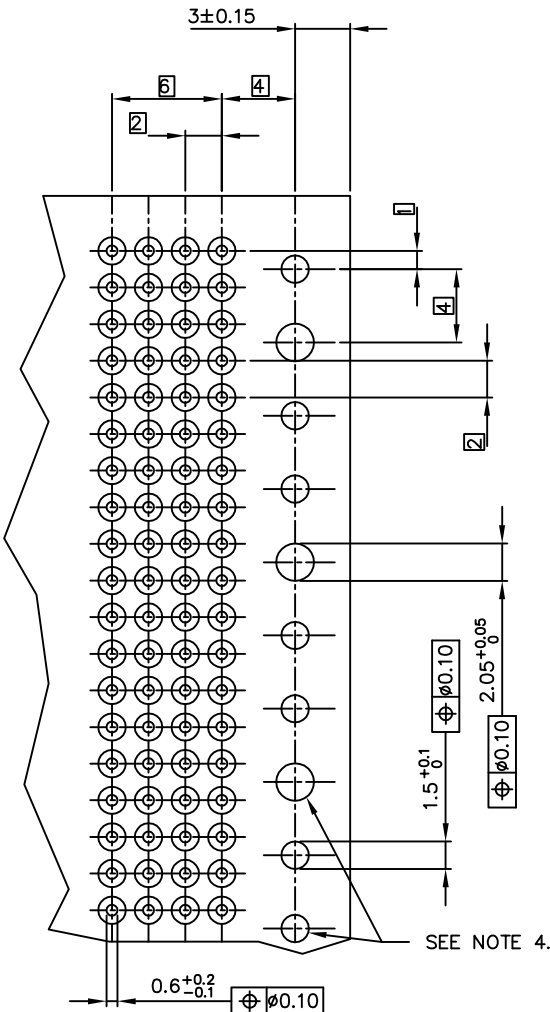
PRODUCT AFTER PC BOARD APPLICATION.



PC BOARD THICKNESS ±0.20
SEE TABLE

NOTES:

- BODY MAT'L: LIQUID CRYSTAL POLYMER 30% GLASS
FLAME RETARDANT ACC. UL 94-V0
- TERMINAL MATERIAL: PHOSPHOR BRONZE.
- PLATING SOLDER TAILS 2-8 um SnPb 90-97 OR 2-8 um PURE Sn FOR LEAD FREE.
- INDICATED HOLES ARE UNPLATED.
- PRODUCT MARKING: PARTNUMBER & BATCH ID.
- THIS PRODUCT MEETS EUROPEAN UNION DIRECTIVES AND OTHER COUNTRY REGULATIONS AS DESCRIBED IN GS-22-008.
- THE HOUSING WILL WITHSTAND EXPOSURE TO 260DEGREE PEAK TEMPERATURE FOR 10 SECONDS IN A WAVE SOLDER APPLICATION.



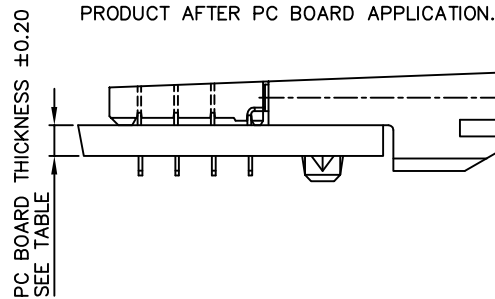
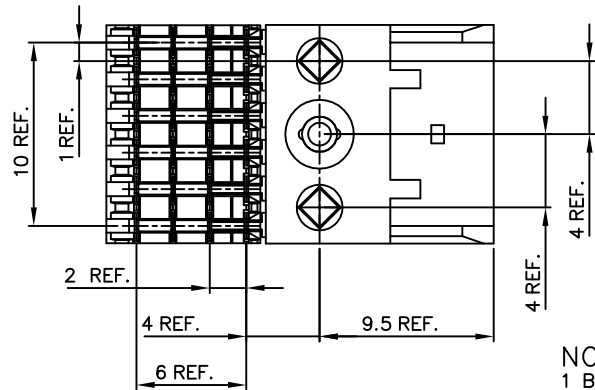
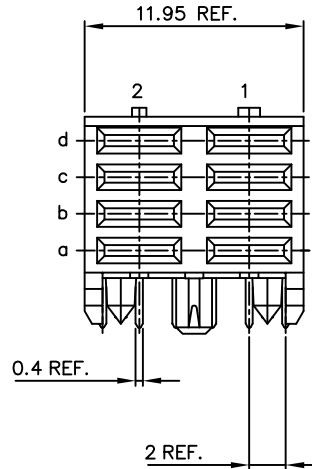
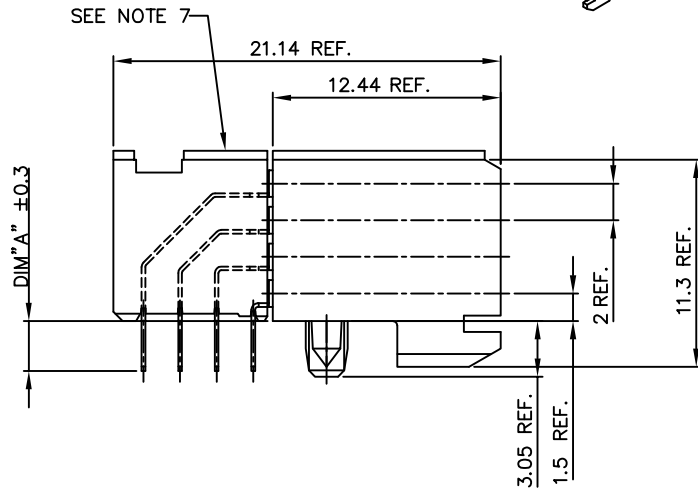
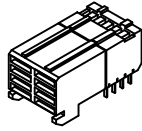
RECOMMENDED HOLE PATTERN,
COMPONENT SIDE.

SEE NOTE 4.

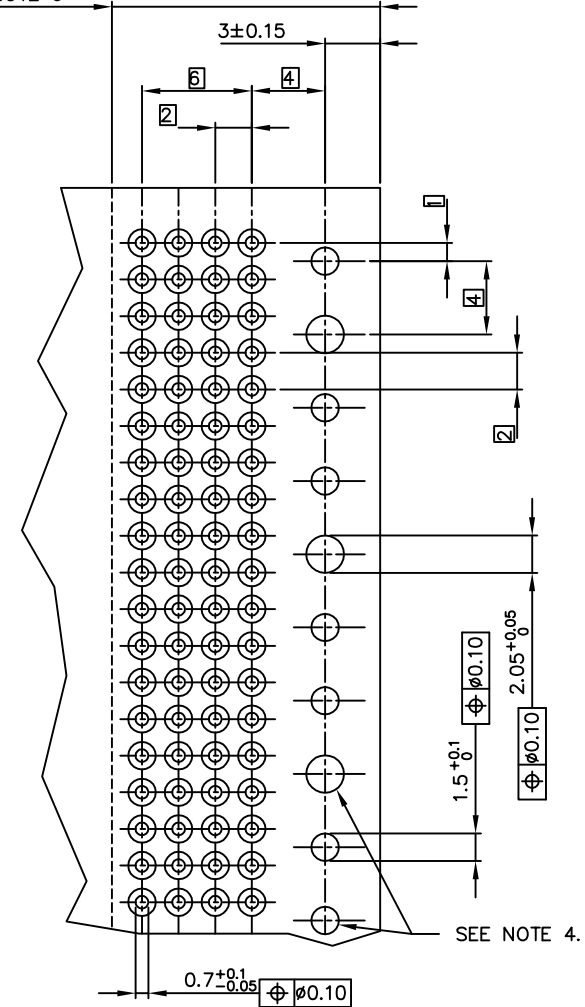
PLATING CONTACT AREA:	
DASH NR:	PERFORMANCE LEVEL
-1YY	TELCORDIA CO
-2YY	CUSTOMER SPECIAL
-3YY	CUSTOMER SPECIAL
-9YY	TELCORDIA CO
-1YYLF	TELCORDIA CO
-2YYLF	CUSTOMER SPECIAL
-3YYLF	CUSTOMER SPECIAL
-9YYLF	TELCORDIA CO

mat'l. code		tolerances unless otherwise specified		CUSTOMER COPY		FCI ELECTRONICS	
lfr	ecn no	dr	date	linear	projection	title	www.fciconnect.com
H	000-010	Clu	041223			RA FEMALE POWER	
J	0007-0458	Cent	11/15/07			12 mm PRESS PEG	
K	0008-0171	TER	8/26/08	angles			
-	-	-	-	dr	H.Bouwknegt	930305	
E	V70769	DOB	970521	eng	H. Bouwknegt	940311	
F	V00578	LLA	000316	chr	J.Wintjes	930305	
G	V00847	LLA	000530	app	H.Bouwknegt	930305	
sheet	revision	K	K			mm	product famil
index	sheet	1	2			5:1	METRAL(tm)
						A2	code
						89039	213
							sheet
							1 of 2

PC BOARD VERSIONS		
PRODUCTNR:	PCB THICKNESS	DIM "A"
89039-X02/X02LF	1.6	2.90
89039-X12/X12LF	2.4	3.53



14.64 REF. SEE NOTE 6



RECOMMENDED HOLE PATTERN, COMPONENT SIDE.

- NOTES:
- BODY MAT'L: LIQUID CRYSTAL POLYMER 30% GLASS
FLAME RETARDANT ACC. UL 94-V0
 - TERMINAL MATERIAL: PHOSPHOR BRONZE.
 - PLATING SOLDER TAILS 2-8 um SnPb 90-97 OR 2-8 um PURE Sn FOR LEAD FREE.
 - INDICATED HOLES ARE UNPLATED.
 - PRODUCT MARKING: PARTNUMBER & BATCH ID.
 - SET BACK FOR PRESS BLOCK.
 - TOP SURFACE OF PRESS BLOCK MAY EXTEND UP TO 0.4MM HIGHER THAN HOUSING. THIS MAY AFFECT THE TAIL LENGTH BEFORE APPLICATION TO A BOARD
 - THIS PRODUCT MEETS EUROPEAN UNION DIRECTIVES AND OTHER COUNTRY REGULATIONS AS DESCRIBED IN GS-22-008.
 - THE HOUSING WILL WITHSTAND EXPOSURE TO 260DEGREE PEAK TEMPERATURE FOR 10 SECONDS IN A WAVE SOLDER APPLICATION.

Tous droits réservés. Reproduction ou communication, en tout ou en partie, sans autorisation écrite de l'éditeur. © FCI Inc.

All rights reserved. Reproduction or use in any form without written authority from the copyright owner. © FCI Inc.

PLATING CONTACT AREA:	
DASH NR:	PERFORMANCE LEVEL
-1YY	TELCORDIA CO
-2YY	CUSTOMER SPECIAL
-3YY	CUSTOMER SPECIAL
-9YY	TELCORDIA CO
-1YYLF	TELCORDIA CO
-2YYLF	CUSTOMER SPECIAL
-3YYLF	CUSTOMER SPECIAL
-9YYLF	TELCORDIA CO

mat'l. code		tolerances unless otherwise specified		CUSTOMER COPY			
ltr	ecr no	dr	date	linear	projection	title RA FEMALE POWER size 12 mm PRESS PEG	
K				angles		product family	METRAL(tm)
		dr	D. de Bill	970526	mm	code	213
		enfr	P. Schalk	970526	scale	sheet	2 of 2
		chr	P. Schalk	970526	5:1	dwg no	89039
		app	H. Coolmans	970526			
sheet index	revision	sheet					